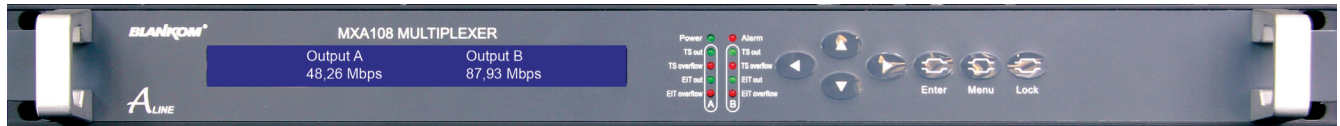


MULTIPLEXER

MXA 108 - 12 x ASI-in Multiplexer with 2 x ASI-out and 2 x IP-out



The MXA108 aggregates and multiplexes SPTS's and MTPS's from up to 12 ASI sources into two independent IP or ASI output streams. The input capacity for each input port is 128 PIDs @ 130 Mbps.

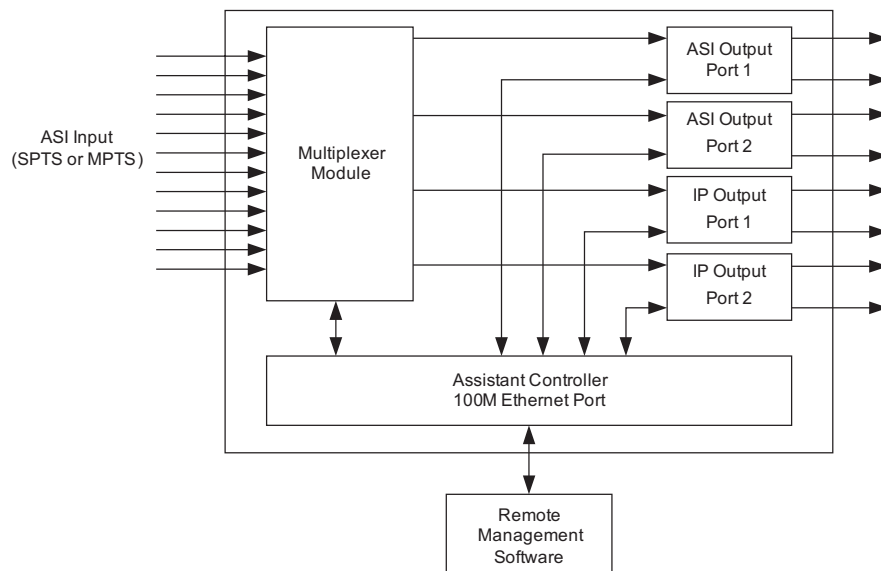
The MXA108 is equipped for remote and front-panel access/control and can be integrated into any network management system via Ethernet interface. Specially designed software provides user access control and a measurement option to evaluate output data rates in real time.

The MXA108 ASI Multiplexer is build into a 19" 1RU chassis.

- **12 ASI inputs with up to 128 PIDs per ASI stream @ 130Mbps per stream**
- **2 independent output streams each in IP and ASI format**
- **PID remapping, PID editor**
- **Easy and secure remote and on-site configuration with separate IP management port**
- **Built-in IP interfaces offer a migration path towards IP environments**

MULTIPLEXER

Basic operation





Item	Description
1	ASI output ports A and B – multiplexed output, DVB compliant MPTS. 75Ω BNC connection
2	ASI input ports 1 to 12, DVB compliant SPTS or MPTS. 75Ω BNC connection
3	SFP adapter outputs A and B
4	IP output link indicators
5	RJ45 GbE IP outputs
6	RJ45 Ethernet Port for remote management and software upgrading
7	Power Supply
8	Ground Connection

The multiplexer can process MPEG-2 single program transport streams (SPTS) or multiple program transport stream (MPTS) inputs and will provide two separate MPEG-2 MPTS outputs and two gigabit ethernet outputs.

Using the remote management software, it is possible to edit the structure and parameters of the input transport streams and carry out the following functions:

- Reference the video, audio and additional data for each input stream
- Automatic EIT processing and multiplexing
- Filter out empty or redundant transport streams
- Edit the packet identifier (PID) as required to integrate streams with others with the same PID details
- Obtain program specific information (PSI) and service information (SI) for streams allowing this information to be integrated with local data
- Reprocesses the program clock reference (PCR) using the system time clock (STC)

MULTIPLEXER

Input	
Interface	12 Standard ASI Ports (BNC) Ethernet (RJ45)
Impedance	75Ω
Data Rate	up to 130Mbps
PID Quantity	128 max
Output	
Interface	2 Standard ASI Ports (BNC) 2 GigE Ports
Impedance	75Ω (BNC)
Data Rate	215Mbps max, 90Mbps per stream
Monitor	
Front Panel	Seven Buttons and an LCD
Remote	Ethernet (TCP/IP); SNMP
Software Updates	
Remote	via Ethernet (TCP/IP)

General Features	
1RU Chassis	
Dimensions	44mm x 482mm x 410mm
Weight	Approx. 8kg
Operating Voltage	50-60Hz AC 110 - 220V SMPS
Power Consumption	25W
Operating Conditions	
Temperature Range	0°C to 45°C
Humidity	5% to 80%

ORDERING INFORMATION

MXA108 - Multiplexer with 12 ASI inputs;
2 ASI outputs, 2 IP outputs

Contact info: sales@advanceddigital.ca WEB: <http://www.advanceddigital.ca> Tel: +1 416 479 0480
+1 416 848 0715