

TLV300E

Digital TV Receiver



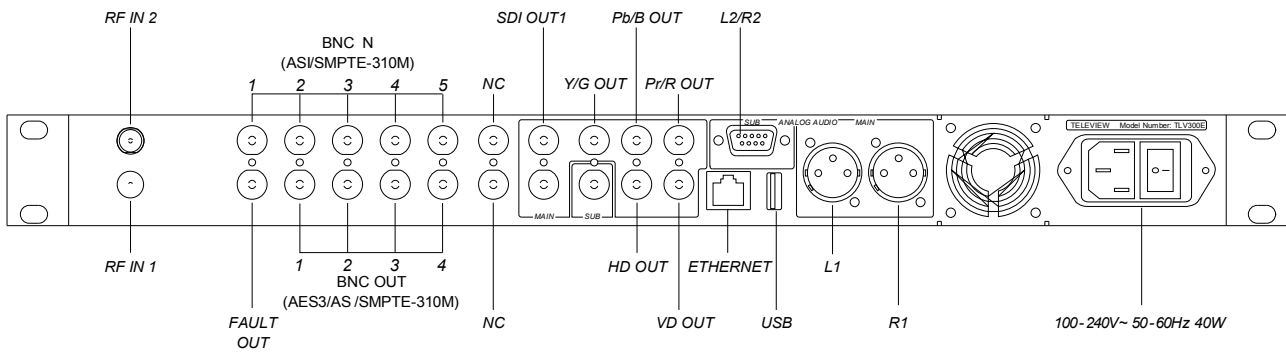
Overview

The TLV300E Professional HDTV new generation frequency agile receiver demodulates all on-air terrestrial ATSC HDTV frequencies and supplies crystal clear digital or analog video from all formats used by Broadcast Professionals in USA, Canada, Mexico, Brazil and Korea. It not only functions as a dual input broadcast demodulator but also works well as a Professional MPEG-2 decoder. The output of the demodulator is available on either DVB ASI or SMPTE 310M connectors. With its DVB ASI inputs it is able to decode Transport Streams up to 80Mbps. Designed to support all the industry standard forms of the ATSC standard it supports 480i, 480p, 720p and 1080i decoding. Supported video outputs include both Digital and Analog formats with HDSDI with embedded audio, SDI, Y Pr Pb, RGB, and composite. Audio support is via embedded audio or via L/R 5 channel XLR connectors.

Features

- Signal from 75ohm F-connector
- May Choose Digital Stream from On-air Terrestrial and DVB-ASI and SMPTE-310M Signal
- Selected Digital Stream is Supplied in DVB-ASI and SMPTE-310M Format Signal
- MPEG-2 MP@HL Compliant Video Decoder Supplies Digital and Analog Video Signal
- Digital Video Signal Compliant with SMPTE-259M/SMPTE-292M(SDI) with Embedded 2 Channel Audio (SMPTE-299M)
- Dolby AC-3 and MPEG-1/2 5.1 Channel Audio Decoder
- Dolby Digital (AC-3) or PCM Stereo Audio Selectable over BNC Connector
- Dolby Prologic Compatible Stereo Audio Output on One XLR Connector and One D-Sub 9P Connector
- RGB Video Signal with 1080i/720p/480p/480i Video Mode
- NTSC/PAL Video Output Available
- 2 Lines by 40 Characters LCD Display
- PSIP/EIA-608,708 Closed Caption Compliant
- 1U Rack Mountable Frame
- Firmware Upgradable via Internet or USB
- USB 1.1 Support
- 10/100 Ethernet Support
- SNMP Management Support

Rear View



Board Specifications

<p>Front Display / Keys 2 Lines by 40 characters LCD 18 keys for easy control LOCK, ENTER, EXIT, ARROW and numeric keys</p> <p>8VSB VHF/UHF RF Input Channel: 54-864MHz RF selectable Connector: 2x75ohm F-type Connector (DVB-T option available)</p> <p>Sensitivity ≥ 43.5 dBμV (VHF) ≥ 35.4 dBμV (VHF high) ≥ 35.4 dBμV (VHF low)</p> <p>TS Input Format : SMPTE-310M at 19.392.658bps rate DVB@ASI up to 80Mbps Connector: 75ohm BNC (User can choose ASI or 310M input at front panel)</p> <p>TS Output Format : SMPTE-310M – DVB-ASI Connector: 75ohm BNC</p>	<p>AES3-id Digital Audio Output Signal: AES3-id Connector: 75ohm BNC Format: Dolby AC-3 / MPEG 1,2 / PCM (User can choose ASI or 310M or AES3-id output at front panel)</p> <p>Component Video Output 1080i / 720p / 480p / 480i Connector: BNC connector YpbPr/RGB selectable</p> <p>Composite Video Output Signal: NTSC/PAL Connector: 75ohm BNC</p> <p>First Audio Output Connector: XLR connector</p> <p>2nd Audio Output Connector: D-sub 9P connector</p> <p>Digital Video Output (SDI) SMPTE299M/SMPTE292M with embedded audio</p> <p>Ethernet 10/100B-T on RJ45</p>	<p>USB 1.1 Connector: type "A"</p> <p>FAULT Relay contact on signal loss</p> <p>Network Management NMS supported thru SNMP</p> <p>CPU and RAM MIPS 300MHz 32bit RISC</p> <p>Physical/Environmental 1U 19 inch rack mountable Operating temperature: +0~+45°C Storage temperature: -20~50°C Humidity, operating: 20 to 80%</p> <p>Power Supply AC 100-240V~ 50-60Hz 40W max</p> <p>Dimension HxWxL:1.7 x 19 x 13.6 inch</p> <p>Weight 6 lb</p>
--	---	---