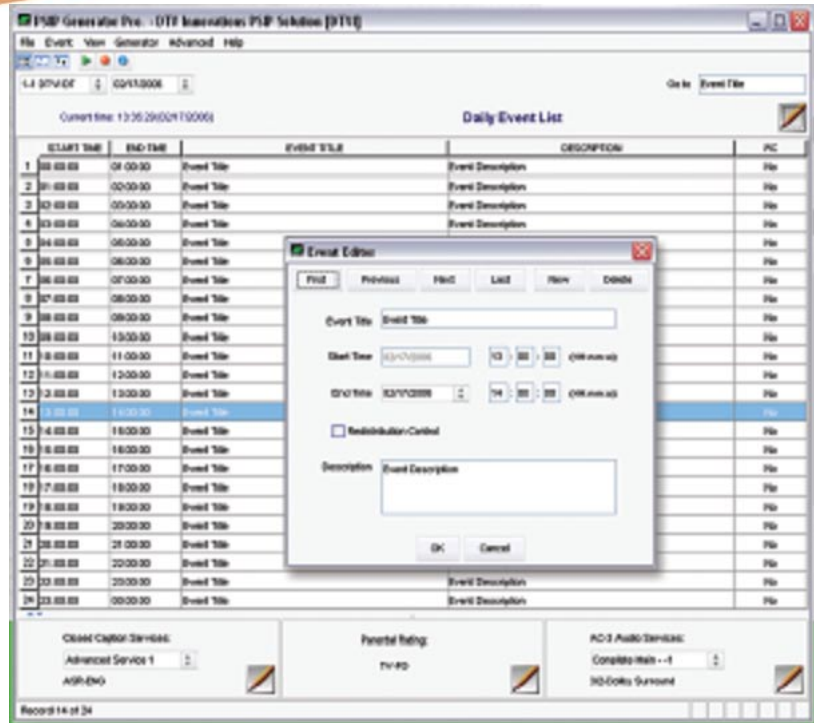


### A COMPLETE PSIP PRO SOFTWARE SOLUTION

DTV's dynamic PSIP Pro is an accurate, easy to use, feature rich, software solution. It contains advanced capabilities and a user-friendly graphic interface at a cost effective, entry level price. It provides all FCC requirements, and supports ATSC recommended practices. The PSIP Pro is the system of choice by television station broadcasters who are looking for a proven system at an affordable price.



### Features

- Meets FCC PSIP Mandate for Dynamic PSIP Generation
- Unlimited Virtual Channels with up to a 16-day Program Schedule
- All ATSC PSIP Tables (MGT, STT, TVCT, RRT, EIT, ETT)
- Closed Caption, AC-3 Audio & Content
- Advisory Descriptors
- Broadcast Flag for Redistribution Control
- Interfaces: UDP/IP & ASI (PCI Card Included)
- Easy Integration with All Manufacturer's Mpeg-2 Encoders
- Optional: PMCP Upgrade (ATSC A/76)
- Optional: Transport Stream Multiplexer PCI Card

## Product Information

The Program and System Information Protocol (PSIP) is a collection of tables designed to operate within the DTV transport stream. Its purpose is to describe the information at the system and event levels for all virtual channels carried in a particular transport stream and to allow program schedule information to be displayed on ATSC-compatible DTV receivers. Additionally, information for analog channels as well as digital channels from other transport streams may be incorporated.

DTV Innovation's PSIP Pro has a comprehensive and easy-to-use interface that allows generation, editing, navigation, and searching of DTV program schedules. It provides all FCC required PSIP tables, and supports ATSC recommended practices. Advanced functions such as recurring events, default event, search event gaps, search event overlap and event over-run control are provided to minimize user input.

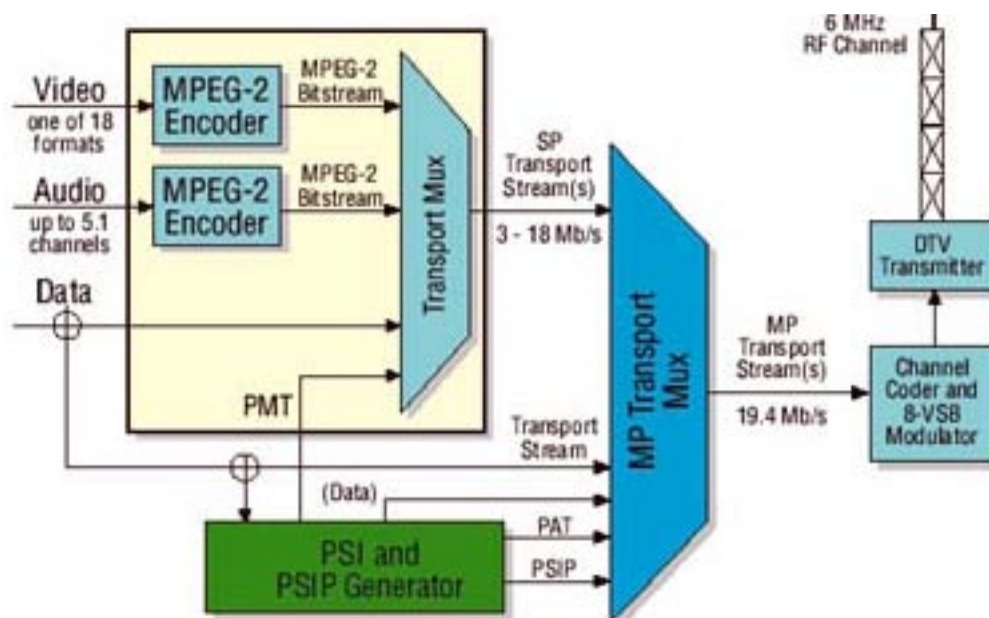
DTV's PSIP Pro has the capability to import information about the audio and video services directly from the encoding system and insert them automatically into PSIP tables. The PSIP Pro outputs PSIP transport packets utilized in the multiplexer. Users have the flexibility to customize the output by setting the number of days of program schedules to be sent and cycle times for various PSIP tables. PSIP Pro also includes a password feature to protect virtual channel information from unauthorized modification.

## Supports

- DAILY EVENT LIST
- UNLIMITED VIRTUAL CHANNELS
- SEARCH EVENT
- EVENT EDITOR
- EVENT TITLE (EIT)
- EVENT DESCRIPTION (ETT)
- CLOSED CAPTION DESCRIPTOR
- CONTENT ADVISORY DESCRIPTOR
- AC-3 AUDIO DESCRIPTOR

## System Requirements

- Windows 2000/XP Operating System
- 400MHz Pentium 4
- 256MB RAM
- CD-ROM
- Includes: ASI, PCI Output Card (Windows 2000 / XP)
- 4GB Hard Drive
- 1024 x 768 Display, 16 Bit Color
- 10/100 BaseT Ethernet Card



**Note:** specifications are subject to change without notice